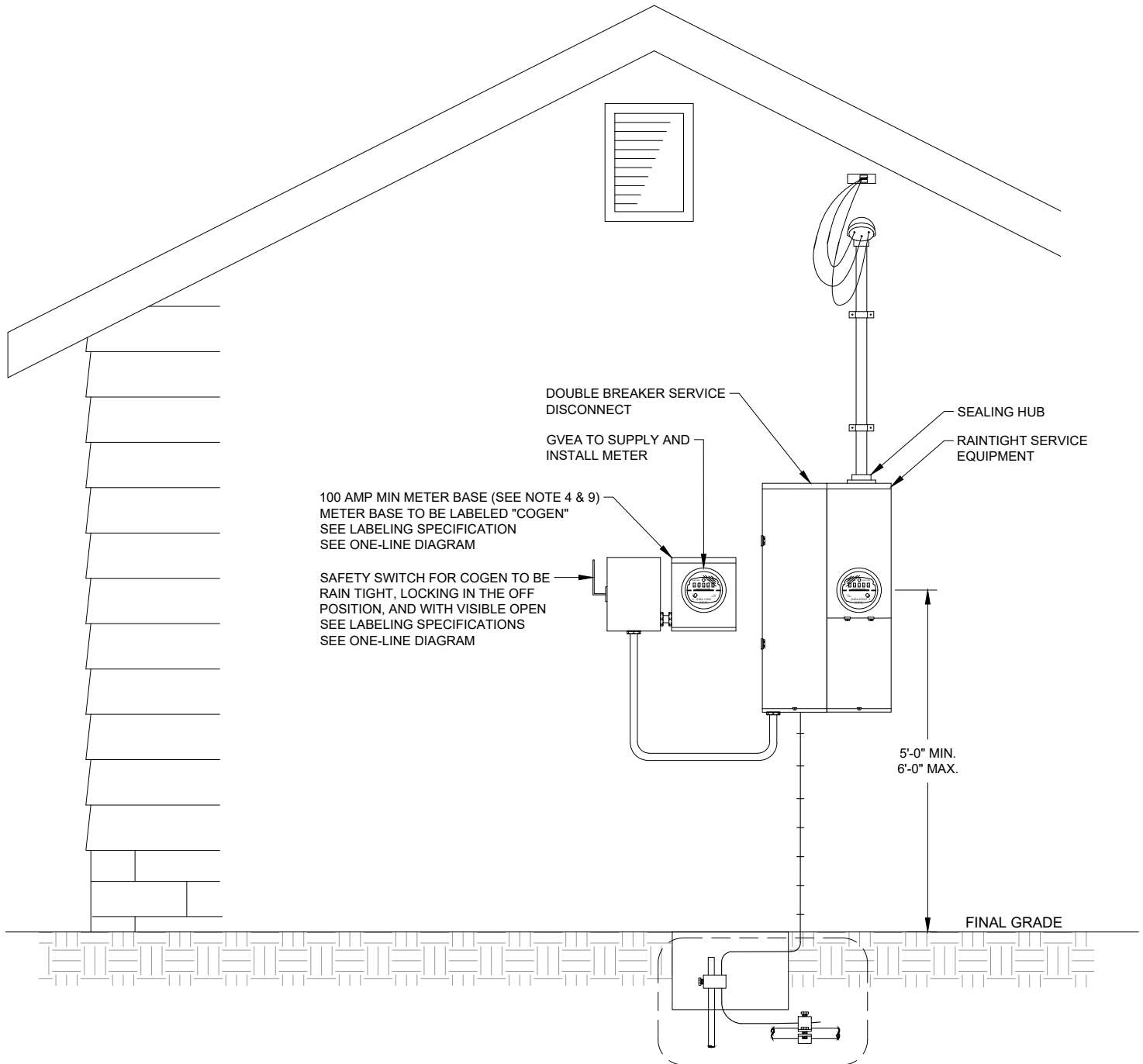


SNAP PLUS (25 kW or Less) Wind Option 2

REVISED 05/2020

Golden Valley Electric Association, Inc.
758 Illinois Street
Fairbanks, AK 99701
New Construction Phone: (907) 458-5870

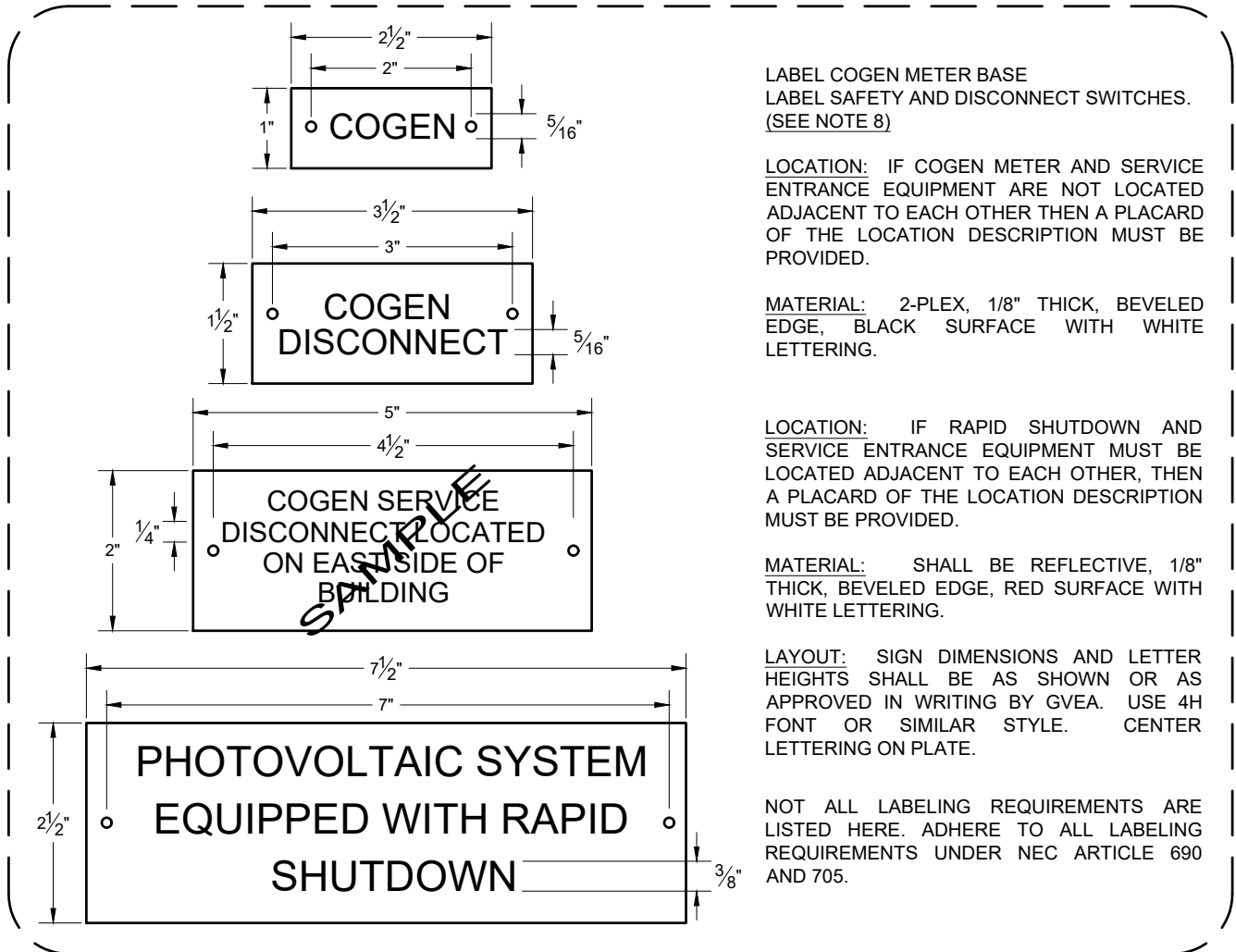
COGEN Equipment connected to Main Service Meter Equipment



SNAP PLUS (25 kW or Less)

REVISED 05/2020

LABELING SPECIFICATIONS



LABEL COGEN METER BASE
LABEL SAFETY AND DISCONNECT SWITCHES.
(SEE NOTE 8)

LOCATION: IF COGEN METER AND SERVICE ENTRANCE EQUIPMENT ARE NOT LOCATED ADJACENT TO EACH OTHER THEN A PLACARD OF THE LOCATION DESCRIPTION MUST BE PROVIDED.

MATERIAL: 2-PLEX, 1/8" THICK, BEVELED EDGE, BLACK SURFACE WITH WHITE LETTERING.

LOCATION: IF RAPID SHUTDOWN AND SERVICE ENTRANCE EQUIPMENT MUST BE LOCATED ADJACENT TO EACH OTHER, THEN A PLACARD OF THE LOCATION DESCRIPTION MUST BE PROVIDED.

MATERIAL: SHALL BE REFLECTIVE, 1/8" THICK, BEVELED EDGE, RED SURFACE WITH WHITE LETTERING.

LAYOUT: SIGN DIMENSIONS AND LETTER HEIGHTS SHALL BE AS SHOWN OR AS APPROVED IN WRITING BY GVEA. USE 4H FONT OR SIMILAR STYLE. CENTER LETTERING ON PLATE.

NOT ALL LABELING REQUIREMENTS ARE LISTED HERE. ADHERE TO ALL LABELING REQUIREMENTS UNDER NEC ARTICLE 690 AND 705.

NOTES:

1. All grounding must meet current NEC requirements.
2. Conductors or cables under drivable areas shall be placed in RMC or IMC conduit. Equipment grounding conductor to a distribution panel is required. See NEC 250.32(B).
3. Conductor insulation shall be type XHHW or RHW.
4. Installation of SNAP service equipment shall adhere to all applicable national, state, and local construction and safety codes. Including applicable NEC requirements. Reference NEC Article 690.
5. A permanent plaque or directory, denoting all electrical power sources on or in the premises, shall be installed at each service equipment location. See NEC 705.10
6. The sum of the overcurrent protective devices for multiple sources shall not exceed 120% of busbar rating. See NEC 705.12
7. To be approved for a connection to Golden Valley's system, the member's actual installation must correspond to a reviewed set of construction plans that shall be submitted on an "Electrical Load Data and Electrical Print" form. See page 3 of Golden Valley's "Electrical Service Guidelines for Commercial and Multi-Residential Installations" Booklet or contact the Engineering Services Department.
8. Electrical disconnect switch energized from both sides shall be provided with placard indicating that all contacts might be energized, per NEC 705.22 (5).
9. The installation of a SNAP Plus system on facilities with a primary meter, non-self contained meter, or service entrance capacity over 200A requires the submission and approval of drawings prepared by a Professional Engineer licensed in Alaska.
10. SNAP Plus Photovoltaic Systems must meet Rapid Shutdown requirements NEC 690.12 and 690.56.
11. A drawing stamped by an Alaska licensed P.E. is required if the proposed installation deviates from the layout depicted on the GVEA one-line diagram.

SNAP Plus One-Line Wind (Option 2) - Load Side Connection

REVISED 05/2020

Completed by GVEA

- Provide All Applicable Information
- Add Details for Additional/Optional Equipment (i.e. Transformers)
- (Use Separate Sheet for Different Unit Types)

GVEA
 Existing Drop/Lateral _____ [Yes/No]
 Existing Drop Conductor Size _____ [AWG]
 Drop Length _____ [Feet]
 Existing Transformer Size _____ [kVA or None]
 Overhead/Underground _____

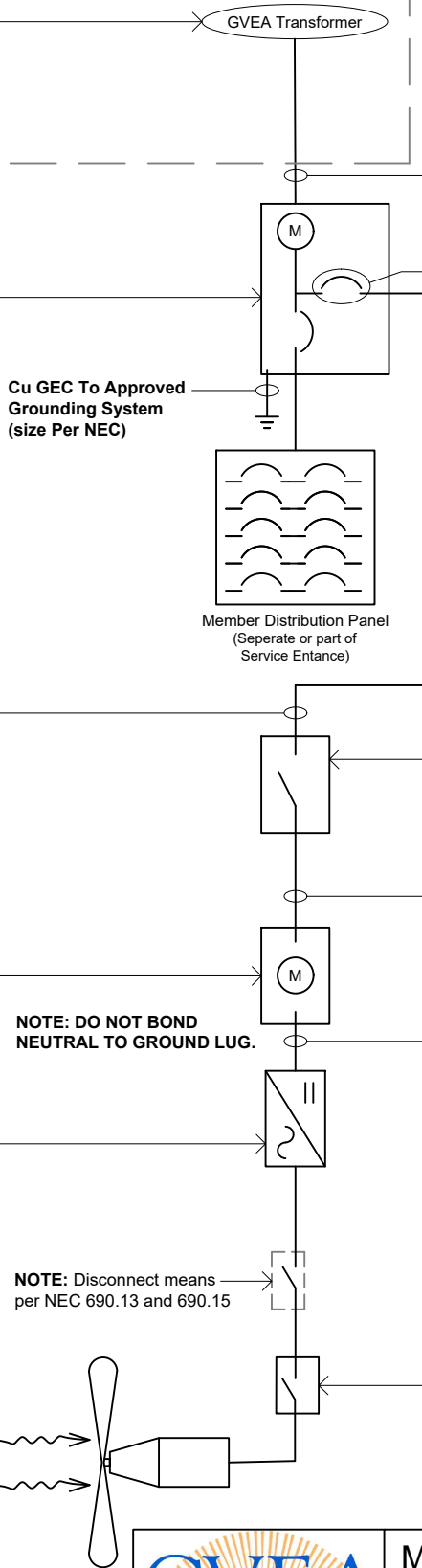
Service Entrance (net meter)
 Rating _____ [Amps] (100 Amp Minimum)
 Installation Method _____
 [Overhead/Underground]
 Overcurrent Device _____ [Breaker/Fuse]
 Overcurrent Device Rating _____ [Amps]
 Interrupt Rating (AIC) _____ [Amps]

SNAP Plus Feeder Conductors
 Conductor Size, Line _____ [AWG]
 Conductor Size, Neutral _____ [AWG]
 Conductor Size, EGC _____ [AWG]
 Conduit Size _____
 Conductor Length _____ [Feet]

SNAP Meter Socket
 Max Rating _____ [Amps]

Inverter
 Manufacturer _____
 Model _____
 L-L Output Voltage _____ [VAC]
 Number of Units _____
 Nominal Rating _____ [Watts, Each]
 Total Rating _____ [Watts, Total]
 UL 1741 Certified? _____ [Yes/No]

Renewable Generation Unit
 Manufacturer _____
 Model _____
 Number of Turbines _____
 Nominal Rating _____ [Watts, Each]
 Total Rating _____ [Watts, Total]
 Rated Peak Power Output _____ MPH Wind Speed
 Generation Site _____ EST Wind Speed at Location



Service Entrance Conductors
 Conductor Size, Line _____ [AWG]
 Conductor Size, Neutral _____ [AWG]
 Conduit Size _____
 Conductor Length _____ [Feet]
 Conduit Type _____

SNAP Plus Overcurrent Protective Device
 Overcurrent Device _____ [Breaker/Fuse]
 Overcurrent Device Rating _____ [Amps]
 Interrupt Rating (AIC) _____ [Amps]

Safety Switch
 Switch Rating _____ [Amps]
 Lockable, Visible Open _____ [Yes/No]
 Fused _____ [Yes/No]

SNAP Plus Safety Switch Conductors
 *SAME AS SNAP -Plus FEEDER CONDUCTORS

SNAP Plus Feeder Conductors
 Conductor Size _____ [AWG]
 Conductor Type _____ [Cu/Al]
 Conductor Insulation _____
 Conductor Size, EGC _____ [AWG]
 Conductor Size, DC GEC _____ [AWG]
 Installation Method _____
 [Overhead/Underground]

Rapid Shutdown System
 NEC 690.12
 Manufacturer _____
 Model _____
Type
 Micro-Inverter
 Shunt Trip
 Inverter Controlled

NOTE: Disconnect means per NEC 690.13 and 690.15



Member Name _____
 GVEA Project # _____
 Date _____
 Prepared By _____